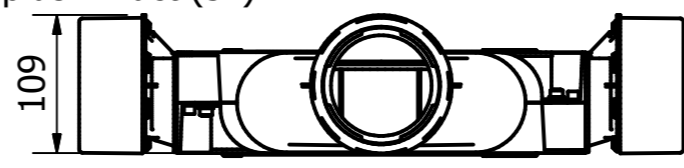
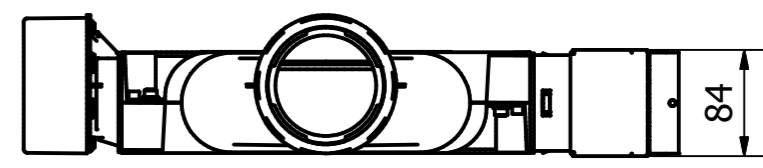


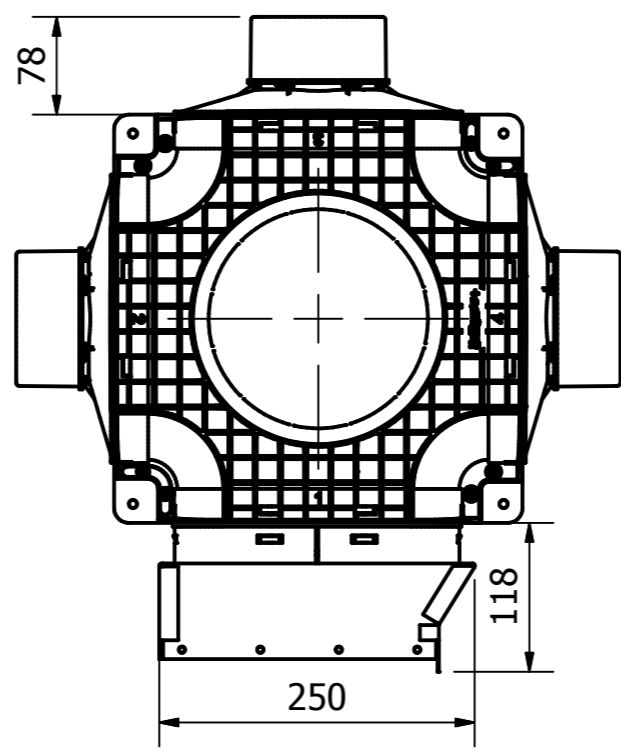
Connection for metal rectangular tube (220x80)



Connection for Ø90mm Uniflexplus+ Duct (3x)



84



PART NAME					
K999.DD220x80 Subverdeler 1xK 3xØ90 2xD + 220x80					
DRAWING NUMBER VENTILAIR	MATERIAL	REVISION HISTORY			
		REV	DATE	DESCRIPTION	BY
2005000380	Mixed				
COLOUR	DATE				
RAL 7035/ 5015	21-3-2019				
SCALE	PROJ A-A	UNITS	SIZE	DRAWN BY	
1 : 6		mm	A3	RND	